

TRACTO

Further information
on GRUNDODRILL

TRACTO.COM/GRUNDODRILL



GRUNDODRILL
15XP / 15XPT
FLUID-ASSISTED HDD RIGS
ALL ROUNDERS



ADVANCED TRENCHLESS TECHNOLOGY

GRUNDODRILL 15XP / 15XPT

SUCCESSFUL DUO

Maximum flow rate

The Bentonite pump delivers max. 200 or 320 l/min for maximum productivity and quick drilling progress, even with large upsizing diameters.

Additional impact force

Optional impact unit for additional dynamic ramming energy in the course of pilot drilling.

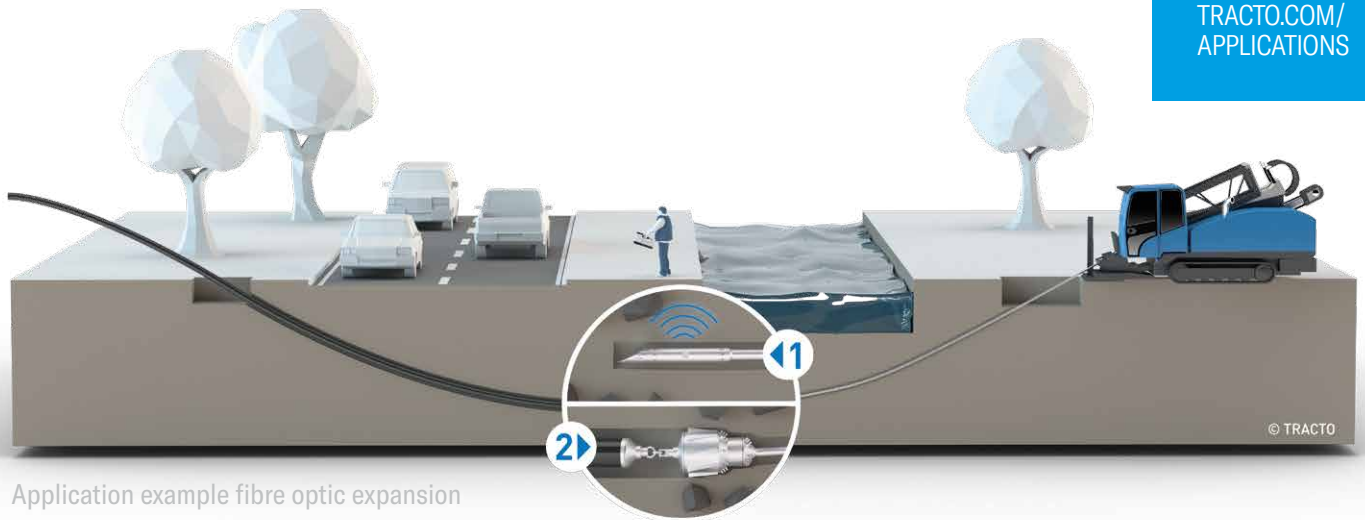
Simple reloading

- If the rod supply in the magazine is not sufficient for the operation, single rods can be reloaded.
- The drill rod is placed into the side feeding device by hand, from where it is transported to the magazine automatically.
- The rod magazine works fully automatically in reloading mode – therefore no machine operator is required in the cabin.

Cable-guided drilling

Can be converted to cable-guided drilling for directional drilling in difficult ground and deep holes.

APPLICATION



GRUNDODRILL
Application
video at



TRACTO.COM/
APPLICATIONS

INSTALLATION METHOD



STEERABLE



NON-STEERABLE

BORE DIAMETER



15XP

100 - 500 MM*



15XPT

115 - 500 MM*

MAIN APPLICATIONS

**LONGITUDINAL
BORES**

**UNDER-
CROSSINGS**

**CABLE-GUIDED
DRILLING**

ROCK BORES

SPECIAL APPLICATIONS

**HORIZONTAL
DRINKING WATER
WELLS**

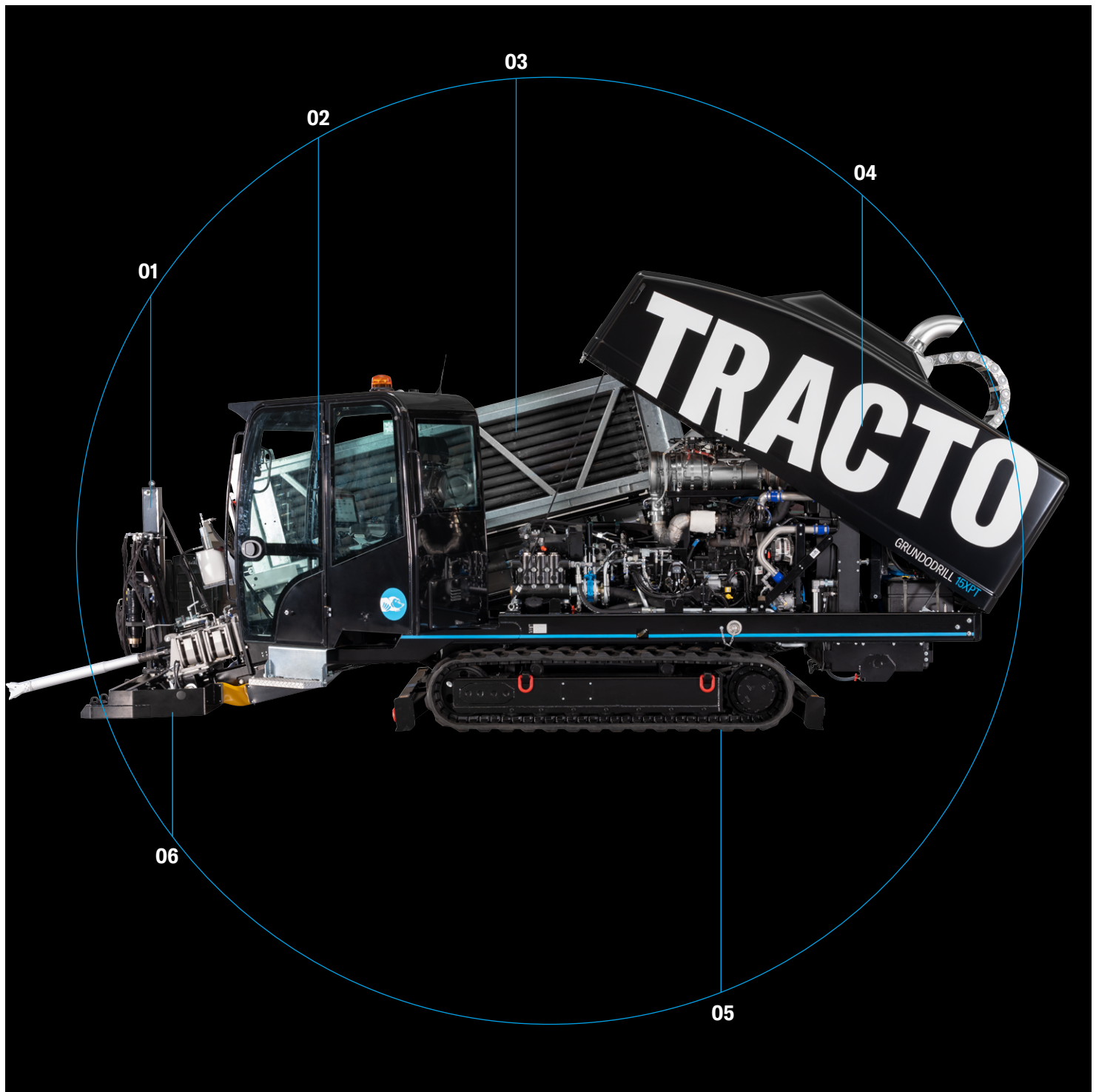
**GEOTECHNICAL
APPLICATIONS**

**IRRIGATION &
DRAINAGE**

AND MUCH MORE

* depending on soil conditions

OVERVIEW



01 Anchor drilling system for even **greater stability** during drilling - optionally available with anchoring hammer system

Integrated high-pressure cleaner - for convenient cleaning of the drill rig and automatic cleaning of drill rods during upsizing/pipe pulling

02 Comfortable swivelling cabin - user-friendly, clearly arranged, flexibly positionable

03 Spacious rod magazine with up to 210 m on board

Option: Fully automatic rod exchange for high productivity and relief of the machine operator. Rotation of the drill rods within the rod box during normal operation for even wear of the drill rods.

04 Large GFRP service hood - easily accessible for service and maintenance

05 Broad, rubber track undercarriage - extremely effective off-road and stable, optionally also available with rubberised steel chains

06 Collecting tray for Bentonite with (optional) Bentonite suction pump

GROUND CONTROL – FULL VISION, MAXIMUM COMFORT

1 | Maximum operating comfort

Two multi-function joysticks for all functions in bore and drive mode. Different operating modes, which can be freely selected by the machine operator:

Manual mode:

- All machine functions controlled by the machine operator

Semi-automatic mode:

- Memory functions for rotation and feed
- Automatic paddle mode
- Automatic rod exchange mode
- Automatic reloading for rod magazine

Fully automatic operation:

- incl. automatic drilling, automatic rod exchange, rod lubrication and cleaning, etc.

Service mode:

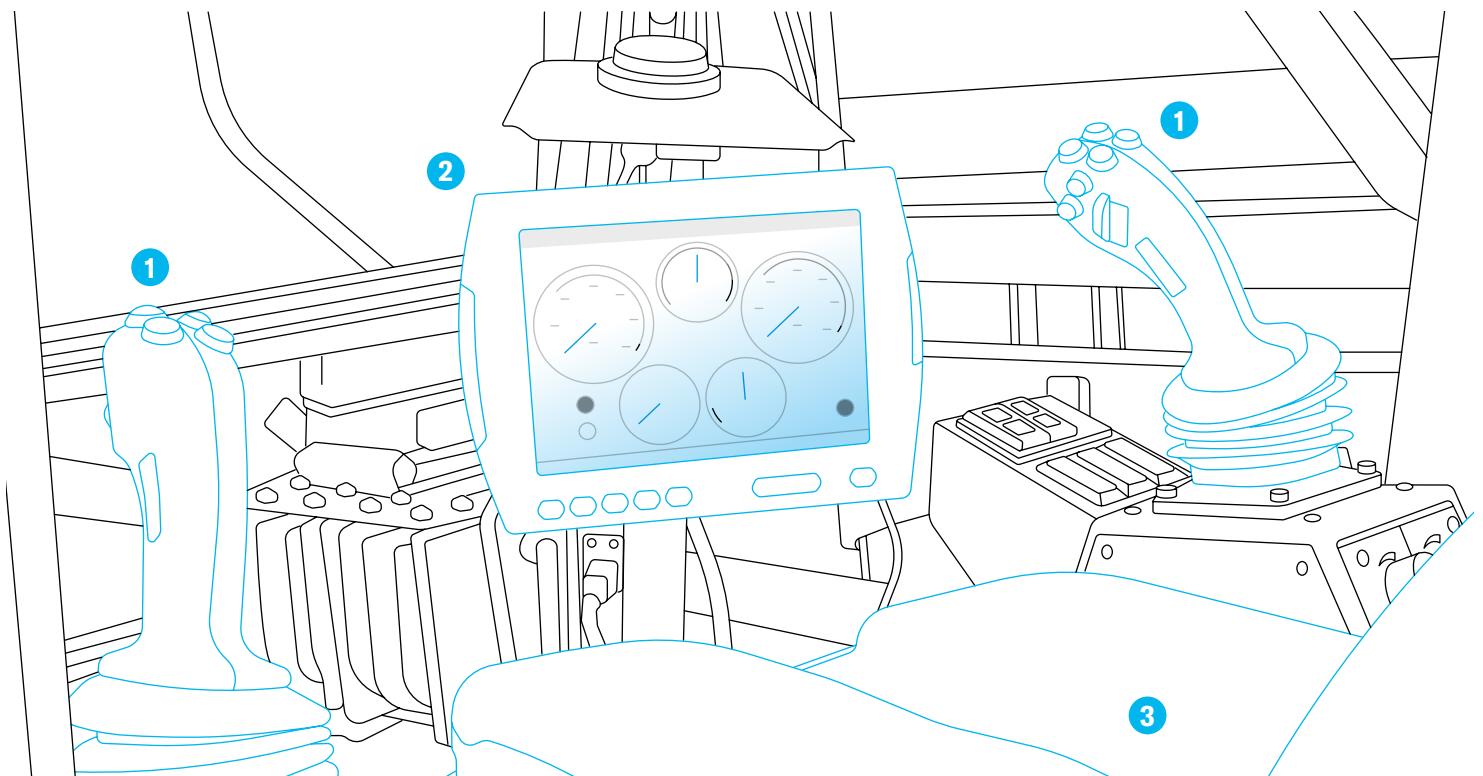
- Complete diagnosis of drilling system via integrated display
- Complete parameter setting/adjustment of bore rig via integrated display

2 | Top notch workplace

- Panel PC with touchscreen and internet connection
- High-resolution colour display
- Language selection
- Automatic bore data log according to DVGW standards
- Remote diagnosis with telemetry data transfer
- LED lighting
- Radio with Bluetooth hands-free system, CD drive and USB port

3 | Custom ergonomics

- Grammer comfort seat: Mechanical suspension, manual weight distribution, individually adjusted, leatherette upholstery
- Panorama glazing for optimum overview
- Swiveling cabin, can be locked in 5 positions. If required, work can also be carried out with the cabin in transport position
- Heating and air conditioning



FUNCTION | ADVANTAGES

EFFICIENCY – METRE BY METRE

GRUNDODRILL
15XP / 15XPT
All rounders
All highlights
at a glance



Full performance - economical from the first metre

All GRUNDODRILL rigs are designed for a wide range of applications; a long service life, minimal wear, minimal down-time and low consumption of resources and fuels – making them particularly flexible and economic – from the first day onwards.

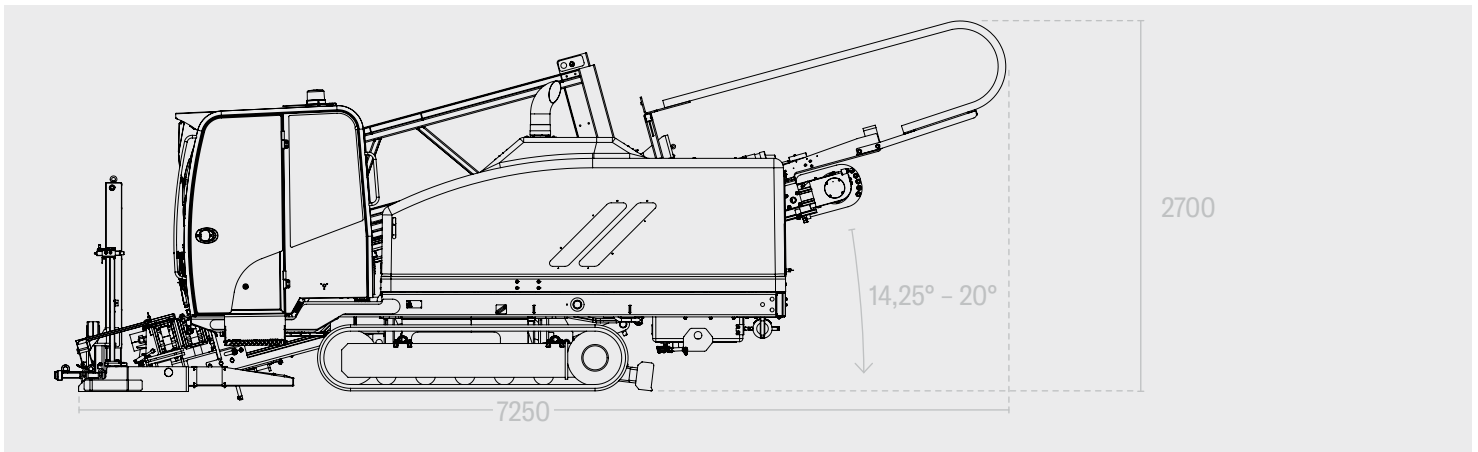
VARIANTS

GRUNDODRILL 15XP / 15XPT POWER VEHICLE

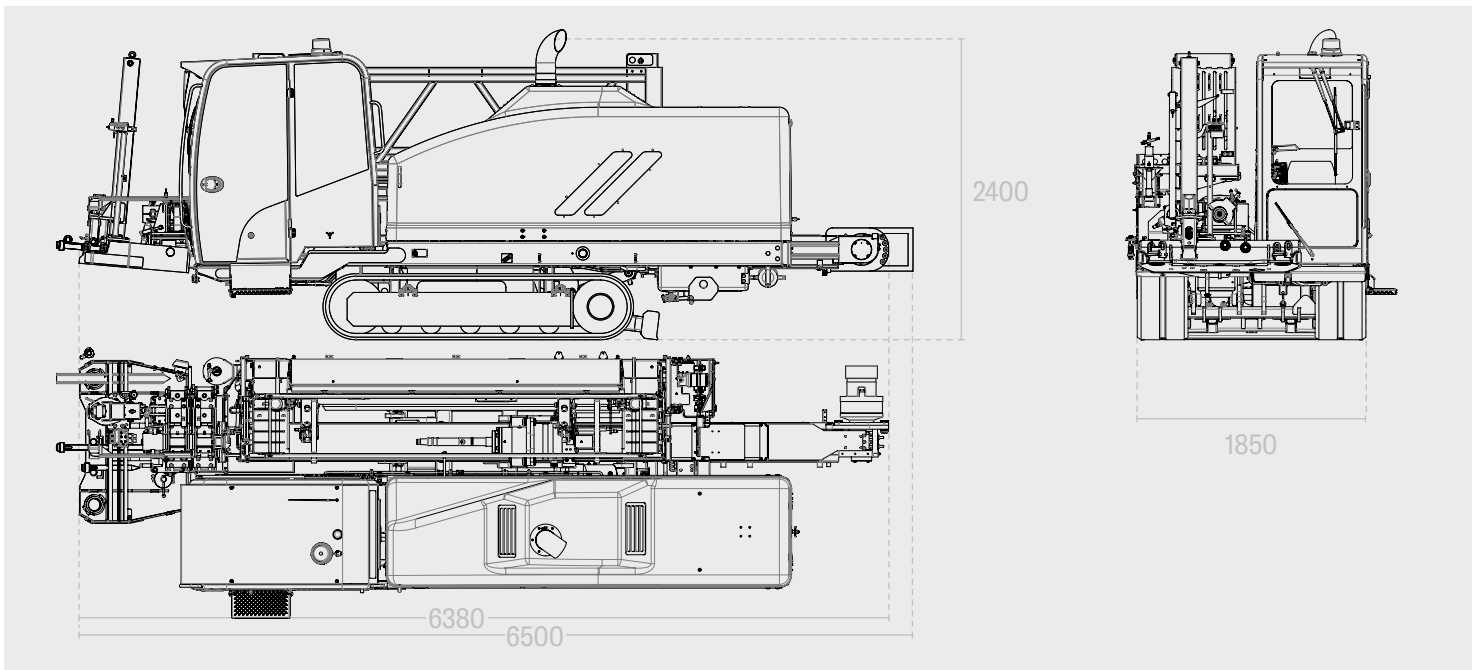
FEATURES | BENEFITS

- Cummins Diesel engine with Stage V exhaust treatment system
- Drill rig with rubber track undercarriage, stabilisor
- Wireless remote control
- Spacious cabin with heating and air conditioning, comfort seat, joysticks, panel PC with touchscreen
- Fully automatic system incl. automatic drilling
- Automatic rod exchange system
- Automatic clamp and break-away facility
- Anchoring system with drilling fluid collecting tray
- Powerful HP Bentonite pump on board the rig
- Bore data logging – data transfer
- High-pressure cleaner
- Optional: percussive hammer, rubberised steel track undercarriage,

WORKING POSITION



TRANSPORT POSITION



VARIANTS



TECHNICAL DATA	DRILL ROD TD61	DRILL ROD TD73
	GRUNDODRILL 15XP	GRUNDODRILL 15XP
Thrust and pullback force	147 kN	160 kN
Max. feed rate (without load)	48 m/min	
Max. torque	4.500 Nm	6.500 Nm
Max. spindle speed	185 U/min	190 U/min
HP Bentonite pump P62 P72	200 l/min 320 l/min	
Bentonite pressure P62 P72	90 bar 110 bar	
Rod magazine contents	210 m	180 m
Effective rod length Number of rods	3.000 mm 70 pcs	3.000 mm 60 pcs
Pilot bore Ø Drill rod Ø fitted / smooth	100 mm ^{fitted} 62/54 mm ^{smooth} 62 mm	115 mm ^{fitted} 73/63 mm
Min. bore radius fitted / smooth	42 / 60 m	42 m
L x W x H (transport position)	6.500 x 1.850 x 2.400 mm	6.380 x 1.850 x 2.400 mm
L x W x H (Working position with cabin swivelled in)	7.250 x 1850 x 2.700	^{Width with mud pump} 7.250 x 1850 x 2.700 mm
L x W x H (Working position with cabin swivelled out)	7.250 x 2.900 x 2.700	^{Width with mud pump} 7.250 x 3.100 x 2.700 mm
Weight max. Rod weight fitted / smooth	10.460 kg 26/31 kg	11.200 kg 42 kg
Engine manufacturer	Cummins	
Engine model	B4.5 - C165	
Emissions standard	Stage V	
Max. engine output	123 kW	
Diesel tank capacity AdBlue tank capacity	120 l 22 l	
Fresh water / anti-freeze tank capacity	105 l	
Inclination angle	0-20 °	
Max. driving speed 2 stages	1,5/2,6 km/h	
Sound pressure level L_{PA} Sound power level L_{WA}	67 dB 97 dB	74 dB 103 dB
Workplace vibrations	≤ 0,5 m/s ²	
Upsizing Ø* ≤ Outer pipe Ø* ≤	500/400 mm	
Bore length* ≤	350 m	400 m

*depending on ground | Subject to change



WELL EQUIPPED IS HALF WAY THERE

Drilling tools, perfectly adapted to the bore rig, guarantee an optimal drilling progress in every type of soil. Robustness and durability of all parts are guaranteed.

STANDARD DRILLING TECHNIQUE

Sonde housing with bore head



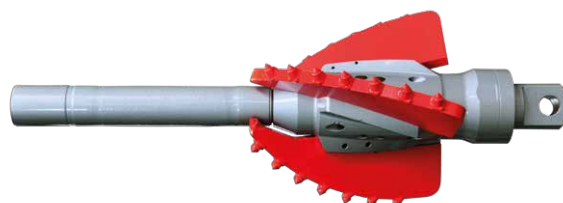
Medium Soil Reamer



Cone Reamer



GRUNDOREAM



MIXING SYSTEMS

A first-class drilling fluid technique is an important component for successful drilling. In combination with the drill rig and drilling tools, the drilling fluid technique of TT provides a coherent package for efficient work – even in complex soils.

Powerful mixing systems and pumps guarantee high drilling fluid performance. Professional measuring units and drilling fluid

additives are available to ensure a drilling fluid quality that is well adapted to the soil.

Learn more about this topic in our in-house training courses or ask us for additional information on mixing systems and truck platforms.



MIXING SYSTEM MA07



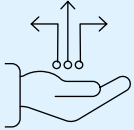
MIXING SYSTEM MA010

TRANSPORT

We are happy to provide assistance with the configuration and choice of your truck incl. trailer. For details, contact your local sales representative.

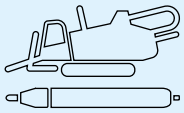
FULL SERVICE FOR TRENCHLESS TECHNOLOGY

Whether its before, during or after the purchase, whether in person or online – we are always at your side with advice and support. Our wide-ranged service is specially tailored to the requirements of trenchless pipe installations, so you can concentrate fully on your core business.



Digital Solutions

Our website offers you the whole world of trenchless technology in digital form. Find out more about our company, our products and their applications. Discover the digital tools for the HDD drilling technology and many other intelligent solutions. Always stay up to date by using the links to our social media channels. Or you can order machines, accessories and spare parts in our eSHOP – easy and conveniently via PC, smartphone or tablet.



Nodig Product Specialists

You can truly rely on our product specialists for all technical questions regarding the function and application of our steerable and non-steerable NODIG-systems. With comprehensive knowledge in each of their special fields, you can be sure they will find the best solution for your trenchless projects and advise you competently on setting up your jobsite.



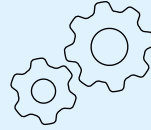
Financing

We offer attractive financing solutions for new and used machines to our customers and sales partners through the TRACTO-TECHNIK Finance GmbH. Be it financing, hire purchase, various types of leasing or insurance: we provide extensive expert advice, individually and personally, in order to find the tailored solution for you. Discretion goes without saying.



Training

Qualified training enables you to apply trenchless technology even more effectively and profitably. Our wide range of training courses for machine operators, construction professionals as well as planners and clients cover all aspects of NODIG technology, including special topics. Certified trainers also instruct you, in theory and practice according to your individual requirements, either at one of our numerous company locations, or directly on your own premises or online, independent of time and place.



Specialised Civil Engineering Service (Application Technology)

The specialised civil engineering service for application technology provides support for all your trenchless construction sites. Our experts demonstrate the steerable and non-steerable NODIG technology live in practical use, show your drilling teams how to use it or actively assist with special projects.



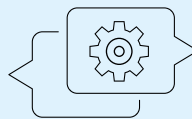
Geoservice

Precise knowledge of the soil is the key to successful trenchless projects. Our Geoservice team provides you with this professional knowledge. Our expertise puts you in a position to master every type of soil. Based on geoscientific maps and existing construction files, we supply information on the soil, which will help you with calculations or supplements.



Used Equipment

If you want to sell a used machine at an attractive price or are looking for the right equipment for your tasks, our full service for used NODIG machines will take the workload off your hands – from appraisal and price determination to professional repair and certification, through to achieving the best price for you via our used machine website with access to one of the world's largest construction machinery platforms.



After Sales

Via our worldwide service network we are always there for you, even after the purchase. A total of five TRACTO plants and seven customer centres in Germany, as well as our worldwide sister companies and sales partners guarantee fast supply of spare parts and immediate availability. Our competent service staff offer fast assistance, to ensure you don't lose any time.

**Discover all
Services**



[TRACTO.COM/
SERVICES](https://TRACTO.COM/SERVICES)

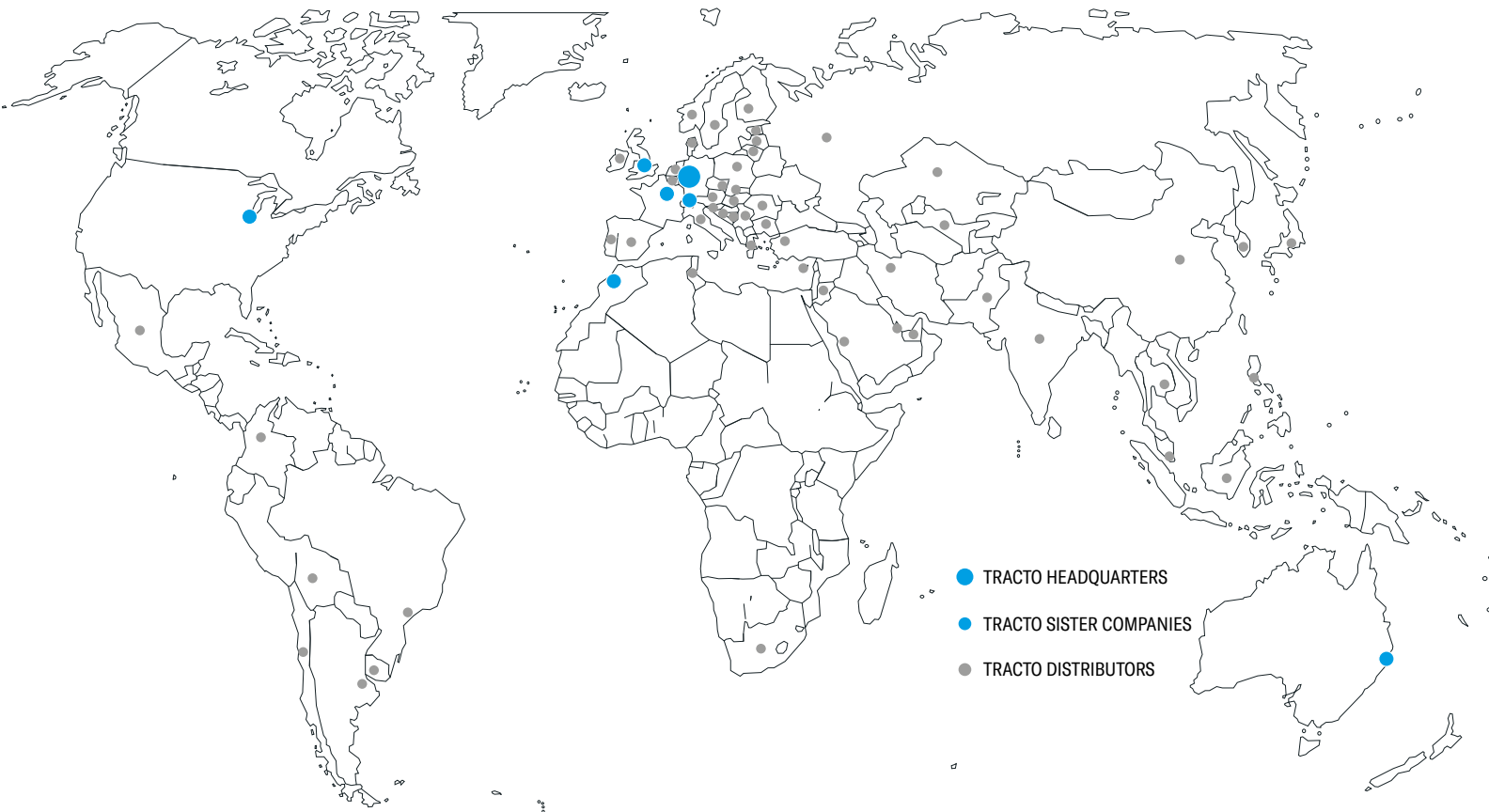


**TRACTO-TECHNIK
GMBH & CO. KG
HEADQUARTERS**

PAUL-SCHMIDT-STRASSE 2
57368 LENNESTADT, GERMANY
T +49 2723 808-0
F +49 2723 808-180
INFO@TRACTO.COM



TRACTO.COM



- TRACTO HEADQUARTERS
- TRACTO SISTER COMPANIES
- TRACTO DISTRIBUTORS

SWITZERLAND
TRACTO-TECHNIK SCHWEIZ AG
INDUSTRIESTRASSE 4
8360 ESCHLIKON TG, SCHWEIZ
T +41 79 8203897
CH@TRACTO.COM
TRACTO.COM/CH-FR

UNITED KINGDOM
TRACTO-TECHNIK UK LTD
10 WINDSOR ROAD
BEDFORD MK 42 9SU
T +44 1234 342566
F +44 1234 352184
INFO@TRACTO-TECHNIK.CO.UK
TRACTO.COM/UK

FRANCE
TRACTO-TECHNIK FRANCE S.A.R.L.
1/3 RUE DE LA PRAIRIE
F-77700 BAILLY ROMAINVILLIERS
T +33 1 60 42 49 40
F +33 1 60 42 49 43
FR@TRACTO.COM
TRACTO.COM/FR

USA
TT TECHNOLOGIES INC.
2020 EAST NEW YORK STREET
AURORA, IL. 60502
T +1 630 851 8200
F +1 630 851 8299
INFO@TTTECHNOLOGIES.COM
TTTECHNOLOGIES.COM

AUSTRALIA
TRACTO-TECHNIK AUSTRALIA PTY LTD.
10 ALICIAJAY CIRCUIT
LUSCOMBE, QLD 4207
T +61 7 3420 5455
AU@TRACTO.COM
TRACTO.COM/AU

MOROCCO
TRACTO-TECHNIK AFRIQUE S.A.R.L.
ROUTE DE TAMESNA 4022
POSTE 2044, 12220 TAMESNA
T +212 5 37 40 13 63 / 64
F +212 5 37 40 13 65
INFO@TRACTO-TECHNIK.MA
TRACTO.COM/MA

**TRACTO
ADVANCED TRENCHLESS TECHNOLOGY**

TRACTO PARTNER:

Images, text and graphics subject to change. Some of the product or service designations listed below as well as depicted logos are registered trademarks of TRACTO and in these cases are subject to the respective applicable trademark law.