

TRACTO

Further Information
on GRUNDOSTEER

[TRACTO.COM/GRUNDOSTEER](https://tracto.com/grundosteer)



GRUNDOSTEER
GUIDED ROD PUSHER
SIMPLY FULL TARGET
CONTROL



ADVANCED TRENCHLESS TECHNOLOGY

GRUNDOSTEER GUIDED ROD PUSHER

STRIKINGLY SIMPLE, ROBUST AND RELIABLE

The GRUNDOSTEER combines proven trenchless pipe installation methods into one easy-to-use machine.

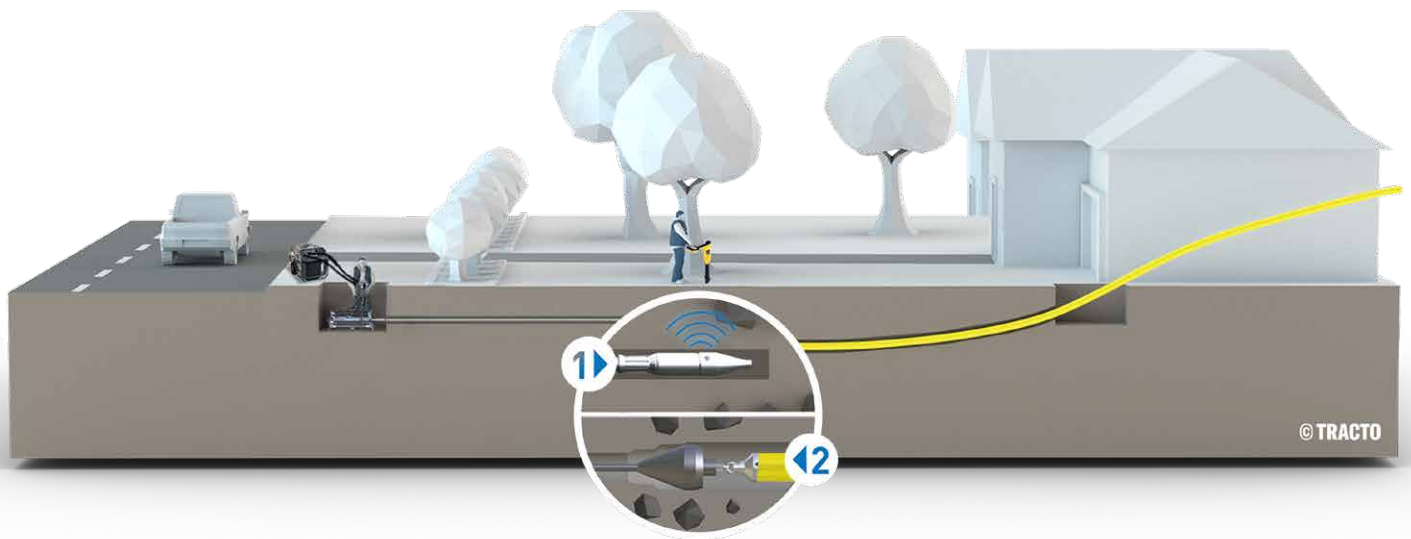
The locatable guiding head displaces the soil when the drill rods are driven forward similar to a soil displacement hammer but is tracked above ground with a locating device. Deviations from the route can be read on the locating device and corrected by rotating the drill rods. In the target pit, the guiding head is replaced by an expanding head and the borehole is enlarged during retraction. At the same time the attached pipe is pulled in. Drilling fluid is not required with guided rod pushing.

TRENCHLESS HOUSE CONNECTION IN NO TIME

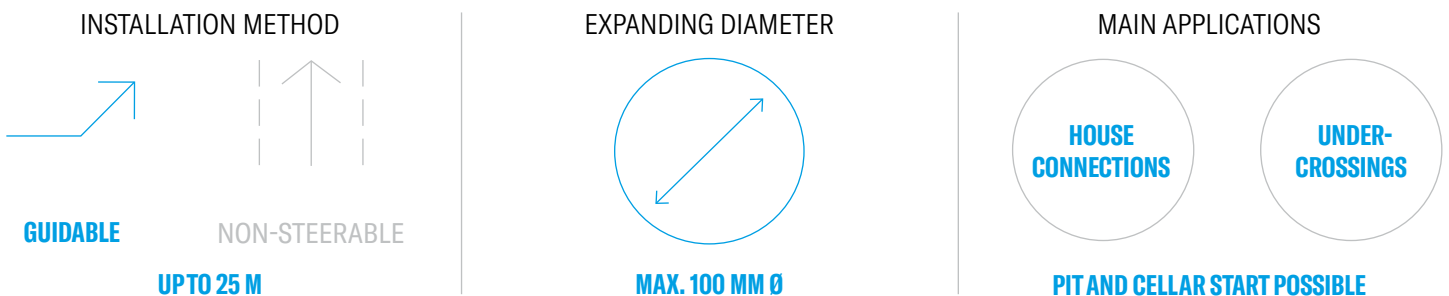
In addition to short undercrossings, the GRUNDOSTEER is particularly well suited for quick and easy trenchless house connections. The compact unit can work from a pit to the building, or from the inside of the building through a core hole in the wall.

The alignment to the target is carried out with help of the GRUNDOSCOPE aiming frame. A simple, low-cost locating device is provided to determine the position of the guiding head during drilling. Thanks to the reliable steering principle and the easy directional correction, even less experienced operators can achieve successful house connections or short road crossings accurately using trenchless technology.

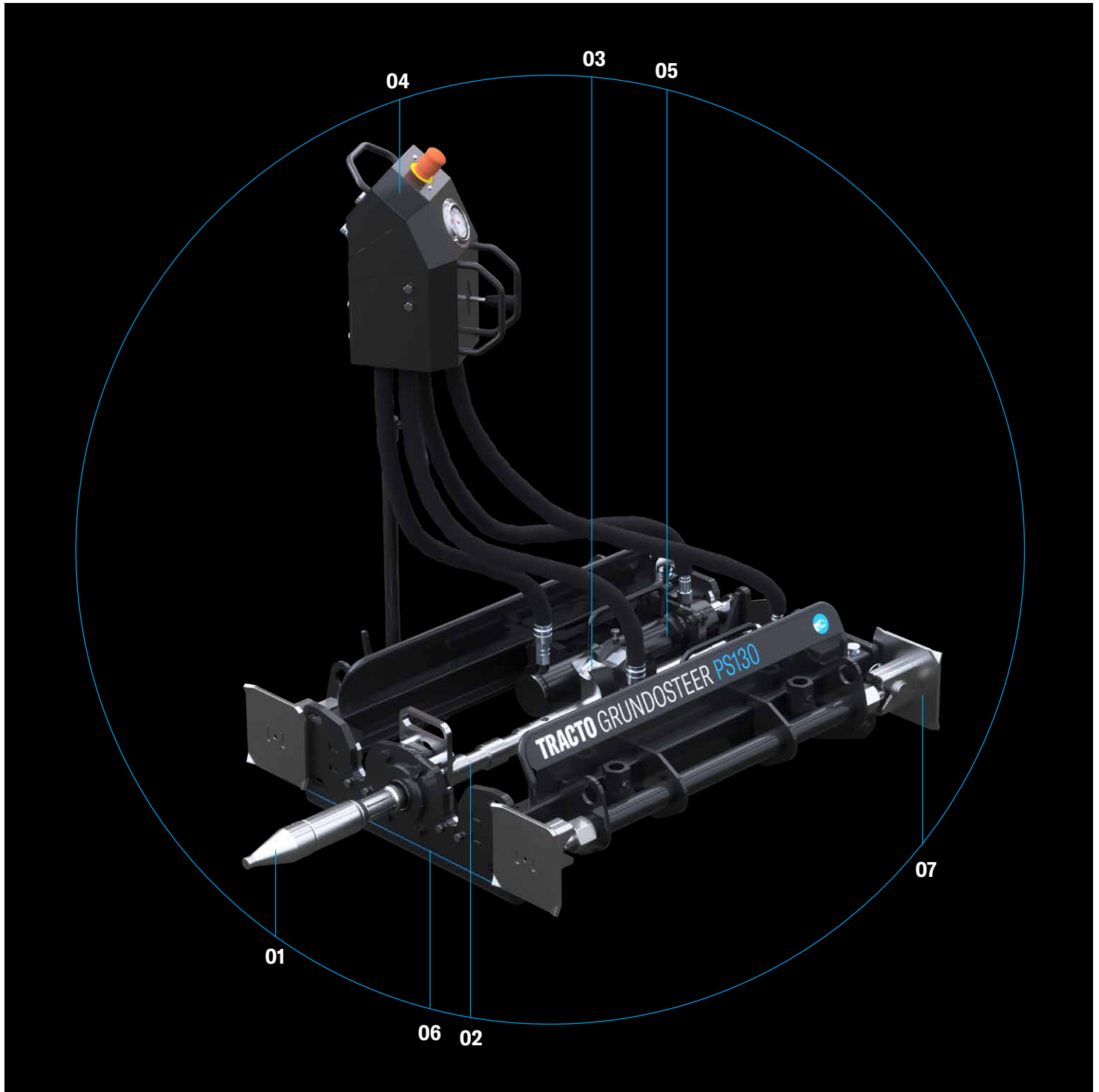
APPLICATION



Application example gas house connection



OVERVIEW



01 Adjustable guiding head with integrated sonde enables permanent positioning and directional correction via a location system.

02 Robust SIMCON-drill rods with Simple-Connect-Plug connection for a quick assembly and disassembly.

03 Dirt-resistant latch for a trouble-free feed and retraction of the drill rods and pipe installation via a positive connection with the Simcon-rods.

04 Easy-to-operate, height-adjustable control unit, allows the speed to be altered when pushing the drill rods and also when pulling back.

05 Modifiable inlay position of the hydraulic cylinders provides an identical thrust and pull-back force.

06 Dismountable base frame to easily transport the machine to the starting pit or into the house cellar.

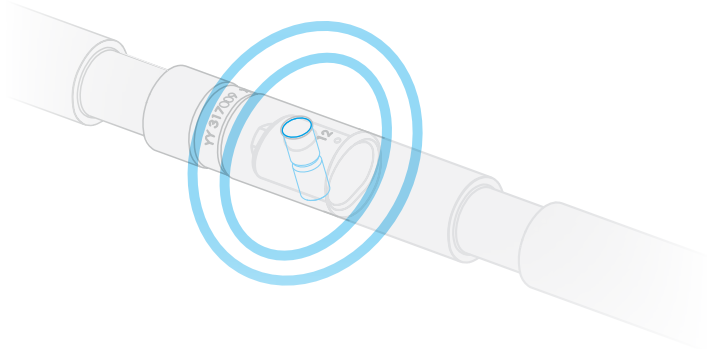
07 Integrated support foot allows simple and secure bracing inside the starting pit.

SIMPLY COMPLETE TARGET CONTROL



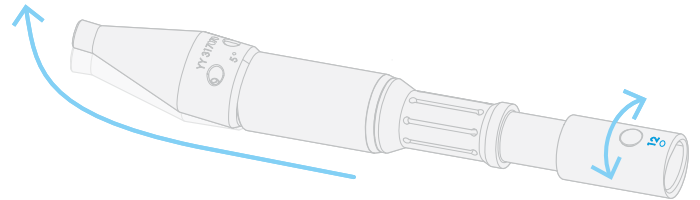
Flexible Tool

GRUNDOSTEER is ideal for the production of all types of house connections, from the starting pit to the building or in the opposite direction. Short undercrossings are also possible, quick and simple, with the compact guided rod pusher.



On Target? No Problem!

GRUNDOSTEER can be used in all displaceable soils. The alignment to the target is carried out via the GRUNDOSCOPE aiming frame.



Clever Drill Rod Connection

The patent pending Simcon drill rod is secured by a simple bolt connection. No screwing required. This saves energy and shortens the work process considerably.

Complete Control

The bore direction is constantly tracked above ground with a locating device and any deviations can be corrected at any time, if necessary. By rotating the drill rod the position of the steering head can be altered, which can be read off the time scale, situated on the position connector.

Favourable Equipment

The GRUNDOSTEER is driven by a customary hydraulic power unit. A simple, low-cost locating device is sufficient to determine the position of the guiding head. Drilling fluid is not required at all for this rod pushing method.

Reliable starters' machine

The low investment effort for the GRUNDOSTEER enables a cost-effective entry into trenchless technology. The simple handling and the reliable guiding principle also give less experienced operators the chance to carry out precise pipe installations.

Protect Your Back

The height-adjustable control unit can be positioned how you need it, at four different points. Operating is carried out in a standing position and the thrust speed can be altered with a hand lever.

Compact Lightweight

The base frame of the GRUNDOSTEER can be dismantled into single parts, which reduces the expenditure for assembly and disassembly considerably.

Construction pit bracing adapter

With the help of this adapter and the integrated hydraulics, the GRUNDOSTEER can be braced in the excavation pit in a power-saving way.

Robust Quality „Made by TRACTO“

The construction of the GRUNDOSTEER is extremely robust. The reliable technology is based on proven solutions and methods.

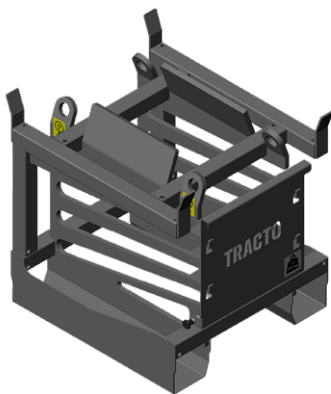
PRACTICAL, ROBUST, RELIABLE

FEATURES

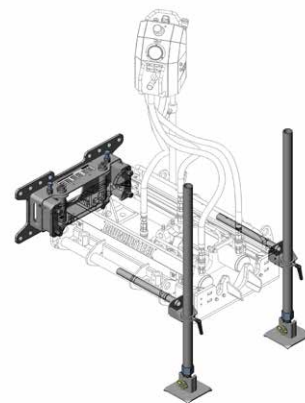
- For house connections and short undercrossings
- Can be started from a machine pit or cellar
- Detectable guiding head for constant control and adjustable drilling
- Simple, low-cost locating technology
- Applicable in all displaceable soils
- Simple assembly and disassembly
- Easy handling and transportation
- Driven via separate hydraulic power unit
- Reliable technology „Made by TRACTO“
- A low-cost introduction to the steerable technology
- On-target pipe installations, even by less experienced operators

TECHNICAL DATA	GRUNDOSTEER PS130
Thrust and pullback force (kN)	130
Length (mm)	995
Width (mm)	760
Drilling axis (mm)	120
Weight (kg)	170
Basic frame single parts (kg)	< 54
Drill rod Ø (mm)	45 x 500
Drill rod weight (kg)	5,7
Guiding head Ø (mm)	58
Max. expanding Ø (mm)	100

All data without guarantee!



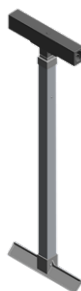
DRILL ROD MAGAZINE



WALL CONNECTION



EXCAVATION PIT TENSIONING ADAPTER



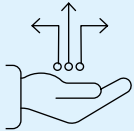
GRUNDOSCOPE TELESCOPIC AIMING FRAME



STEERING HEAD FOR SANDY SOILS

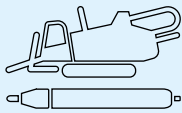
FULL SERVICE FOR TRENCHLESS TECHNOLOGY

Whether its before, during or after the purchase, whether in person or online – we are always at your side with advice and support. Our wide-ranged service is specially tailored to the requirements of trenchless pipe installations, so you can concentrate fully on your core business.



Digital Solutions

Our website offers you the whole world of trenchless technology in digital form. Find out more about our company, our products and their applications. Discover the digital tools for the HDD drilling technology and many other intelligent solutions. Always stay up to date by using the links to our social media channels. Or you can order machines, accessories and spare parts in our eSHOP – easy and conveniently via PC, smartphone or tablet.



Nodig Product Specialists

You can truly rely on our product specialists for all technical questions regarding the function and application of our steerable and non-steerable NODIG-systems. With comprehensive knowledge in each of their special fields, you can be sure they will find the best solution for your trenchless projects and advise you competently on setting up your jobsite.



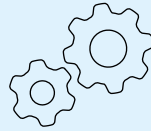
Financing

We offer attractive financing solutions for new and used machines to our customers and sales partners through the TRACTO-TECHNIK Finance GmbH. Be it financing, hire purchase, various types of leasing or insurance: we provide extensive expert advice, individually and personally, in order to find the tailored solution for you. Discretion goes without saying.



Training

Qualified training enables you to apply trenchless technology even more effectively and profitably. Our wide range of training courses for machine operators, construction professionals as well as planners and clients cover all aspects of NODIG technology, including special topics. Certified trainers also instruct you, in theory and practice according to your individual requirements, either at one of our numerous company locations, or directly on your own premises or online, independent of time and place.



Specialised Civil Engineering Service (Application Technology)

The specialised civil engineering service for application technology provides support for all your trenchless construction sites. Our experts demonstrate the steerable and non-steerable NODIG technology live in practical use, show your drilling teams how to use it or actively assist with special projects.



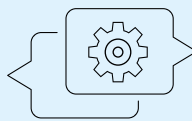
Geoservice

Precise knowledge of the soil is the key to successful trenchless projects. Our Geoservice team provides you with this professional knowledge. Our expertise puts you in a position to master every type of soil. Based on geoscientific maps and existing construction files, we supply information on the soil, which will help you with calculations or supplements.



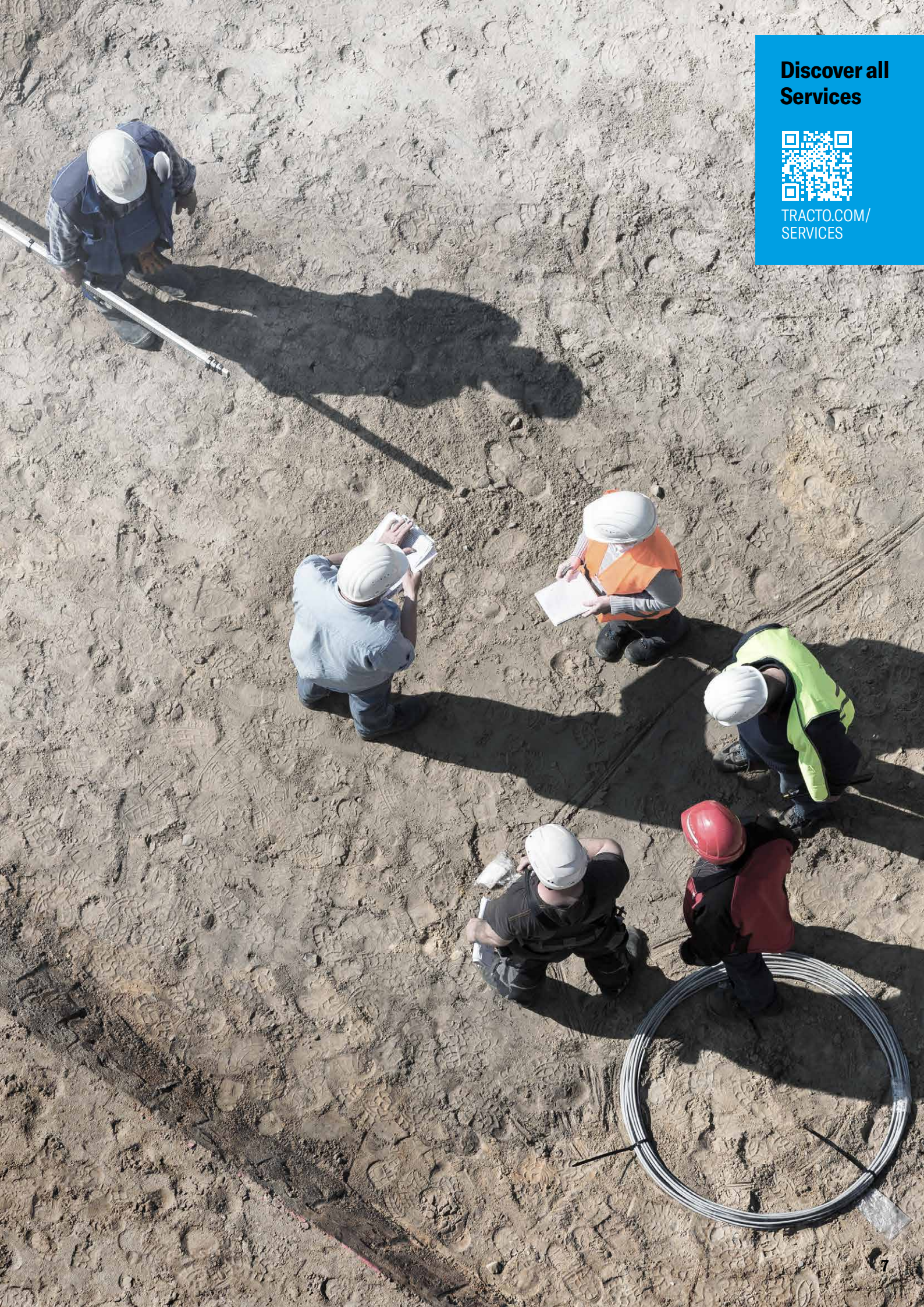
Used Equipment

If you want to sell a used machine at an attractive price or are looking for the right equipment for your tasks, our full service for used NODIG machines will take the workload off your hands – from appraisal and price determination to professional repair and certification, through to achieving the best price for you via our used machine website with access to one of the world's largest construction machinery platforms.



After Sales

Via our worldwide service network we are always there for you, even after the purchase. A total of five TRACTO plants and seven customer centres in Germany, as well as our worldwide sister companies and sales partners guarantee fast supply of spare parts and immediate availability. Our competent service staff offer fast assistance, to ensure you don't lose any time.



**Discover all
Services**



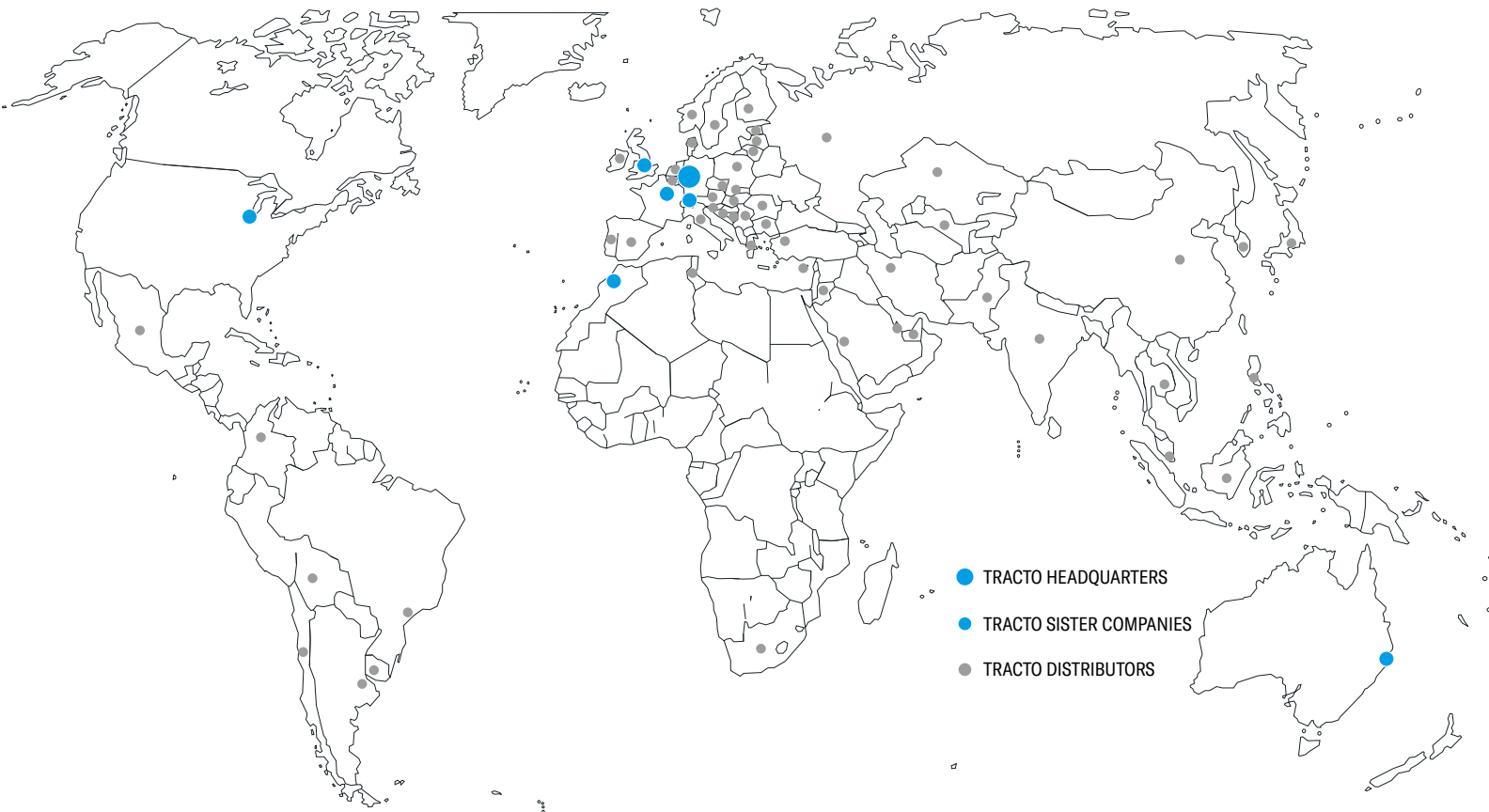
[TRACTO.COM/
SERVICES](https://tracto.com/services)

**TRACTO-TECHNIK
GMBH & CO. KG
HEADQUARTERS**

PAUL-SCHMIDT-STRASSE 2
57368 LENNESTADT, GERMANY
T +49 2723 808-0
F +49 2723 808-180
INFO@TRACTO.COM



TRACTO.COM



- TRACTO HEADQUARTERS
- TRACTO SISTER COMPANIES
- TRACTO DISTRIBUTORS

SWITZERLAND
TRACTO-TECHNIK SCHWEIZ AG
INDUSTRIESTRASSE 4
8360 ESCHLIKON TG, SCHWEIZ
T +41 79 8203897
CH@TRACTO.COM
TRACTO.COM/CH-FR

UNITED KINGDOM
TRACTO-TECHNIK UK LTD
10 WINDSOR ROAD
BEDFORD MK 42 9SU
T +44 1234 342566
F +44 1234 352184
INFO@TRACTO-TECHNIK.CO.UK
TRACTO.COM/UK

FRANCE
TRACTO-TECHNIK FRANCE S.A.R.L.
1/3 RUE DE LA PRAIRIE
F-77700 BAILLY ROMAINVILLIERS
T +33 1 60 42 49 40
F +33 1 60 42 49 43
INFO@TRACTO-TECHNIK.FR
TRACTO.COM/FR

USA
TT TECHNOLOGIES INC.
2020 EAST NEW YORK STREET
AURORA, IL. 60502
T +1 630 851 8200
F +1 630 851 8299
INFO@TTTECHNOLOGIES.COM
TTTECHNOLOGIES.COM

AUSTRALIA
TRACTO-TECHNIK AUSTRALIA PTY LTD.
10 ALICIAJAY CIRCUIT
LUSCOMBE, QLD 4207
T +61 7 3420 5455
AU@TRACTO.COM
TRACTO.COM/AU

MOROCCO
TRACTO-TECHNIK AFRIQUE S.A.R.L.
ROUTE DE TAMESNA 4022
POSTE 2044, 12220 TAMESNA
T +212 5 37 40 13 63 / 64
F +212 5 37 40 13 65
INFO@TRACTO-TECHNIK.MA
TRACTO.COM/MA

**TRACTO
ADVANCED TRENCHLESS TECHNOLOGY**

TRACTO PARTNER:

Images, text and graphics subject to change. Some of the product or service designations listed below as well as depicted logos are registered trademarks of TRACTO and in these cases are subject to the respective applicable trademark law.